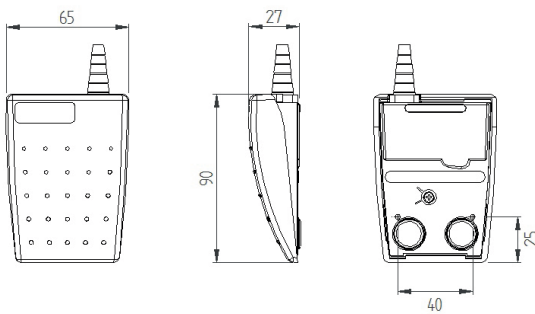


- Low profile switch designed for improved user comfort
- All plastic construction with raised tread pattern, ideal for palm or foot operation
- Versatile & innovative design make it an ideal product for OEM applications
- Switches are designed to meet industrial and office/commercial standards (For medical approval, see 6223)



## Reference dimensions



## General specifications

Standards/approvals	Footswitch: low voltage directive 2014/35/EU, EN 60950 Microswitch: EN 61058-2-1, EN 61058 (dependent upon application chosen)	Operating temperature range	-5°C to +40°C
Degree of protection	EN 60529 IPX2	Body material	Thermoplastic
Connection method	Stripped cable cores or connector of your choice	Weight	0.212Kg (including cable)
Electrical rating	See ordering information	Additional information	Customized versions available (logos, cordsets, colours, guards)
Contact configuration	SPST N/O, SPST N/C, SPCO		

## Ordering and options

6220 -     -

### Model

#### Cover and base colour options

A	Black cover & black base	G	Grey cover & grey base
B	Grey cover & black base	H	Yellow cover & grey base
C	Yellow cover & black base	J	Green cover & grey base
D	Green cover & black base	K	Red cover & grey base
E	Red cover & black base	L	Blue cover & black base
F	Black cover & grey base		

#### Base configuration

A	Base filled with M3 brass inserts
Z	No inserts in base - can be mounted using self tapping screws

#### Pedal operation

A	Light, suitable for hand operation
B	Heavy, suitable for foot operation

#### Switch action

A	SPST N/O Choose 2-core cordset below
B	SPCO Choose 3-core cordset below
E	Kit of parts supplied loose See No cordset options below

Only one cordset selection can be made from 1 of the 4 following sections, enter Z - for no option chosen for the remaining sections

#### 2-core cordsets sealed to IPX2 (BS EN 60529)

A	3A 24V AC/DC, 0,75mm <sup>2</sup> , 2-core black cable, 2 m long, silver contacts
B	3A 250V AC/DC, 0,75mm <sup>2</sup> , 2-core black cable, 2 m long, silver contacts
C	1.75A 24V AC/DC, 2-core black 'UL' cable, 2 m long, silver contacts
D	1.75A 24V AC/DC, 2-core white 'UL' cable, 2 m long, silver contacts
E	3A 24V AC/DC, 0,75mm <sup>2</sup> , 2-core shielded flexible black cable, 2 m long, silver contacts
F	0.1 A 24V AC/DC, 2-core black cable, 2 m long, gold contacts
G	0.1 A 240 V AC, 2-core black cable, 2 m long, gold contacts
H	0.1 A 24V AC/DC, 2-core black 'UL' cable, 2 m long, gold contacts
J	0.1 A 24V AC/DC, 2-core white 'UL' cable, 2 m long, gold contacts
K	0.1 A 24V AC/DC, 2-core shielded flexible black cable, 2 m long, gold contacts
Z	No option chosen

#### 3-core cordsets sealed to IPX2 (BS EN 60529)

A	0.1 A 24V AC/DC, 3-core light grey cable, 2 m long, gold contacts
B	3A 250V AC, 3-core black cable, 2 m long, silver contacts
C	0.1 A 240 V AC, 3-core black cable, 2 m long, gold contacts
D	3A 24V AC/DC, 0,75mm <sup>2</sup> , 3-core black cable, 2 m long, silver contacts
E	1.75A 24V AC/DC, 3-core screened grey cable, 2 m long, gold contacts
Z	No option chosen

#### Cordsets with plugs, sealed to IPX2 (BS EN 60529)

A	0.1 A 24V AC/DC, 2-core black 'UL' cable, 2 m long, 3.5 mm Mono Jack-plug, gold contacts
B	0.1 A 24V AC/DC, 2-core white 'UL' cable, 2 m long, 3.5 mm Mono Jack-plug, gold contacts
C	0.1 A 24V AC/DC, 2-core screened grey cable, 2 m long, 3.5 mm Mono Jack-plug, gold contacts
D	0.1 A 24V AC/DC, 2-core screened flexible black cable, 2 m long, 6.35 mm Mono Jack-plug, gold contacts
E	0.1 A 24V AC/DC, 3-core light grey cable, 2 m long, 3.5 mm Stereo Jack-plug, gold contacts
F	0.1 A 24V AC/DC, 3-core screened grey cable, 2 m long, 6.35 mm Stereo Jack-plug, gold contacts
Z	No option chosen

#### Cordsets with plugs, sealed to IPX2 (BS EN 60529)

A	Microswitch fitted: SPCO 16 A 250 V, silver contacts, 6.35 mm x 0.8 Push-on tag
B	Microswitch fitted: SPCO 0.1A 250 V, gold contacts, 6.35 mm x 0.8 Push-on tag
C	Microswitch fitted: SPCO 16 A 250 V, silver contacts, Solder tag
D	Microswitch fitted: SPCO 0.1A 250 V, gold contacts, Solder tag
Z	No option chosen

Note: The cordset rating must exceed the maximum control circuit rating. Options B & D are low power switches and must only be used in applications where suitably designed constraints are met.